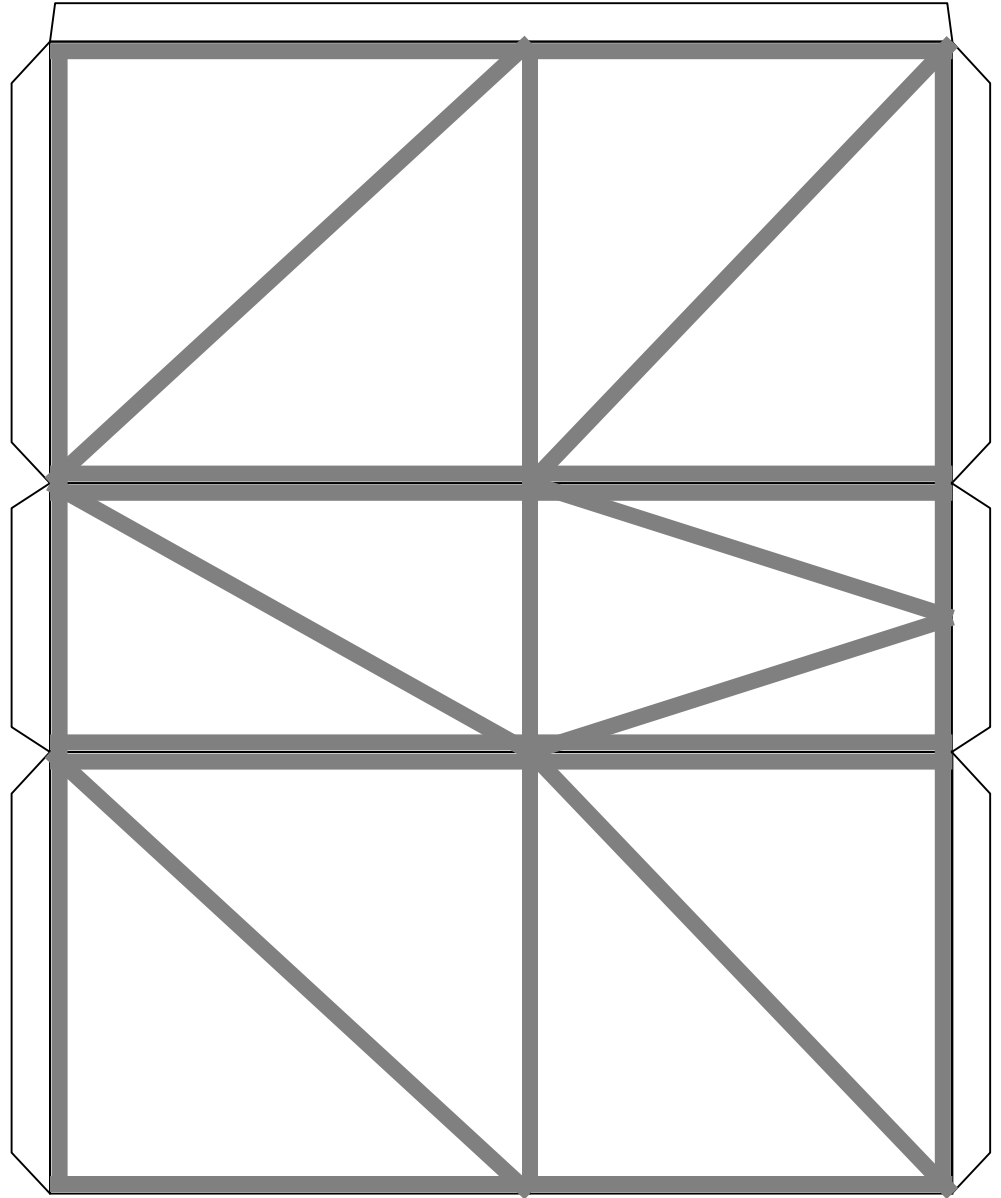
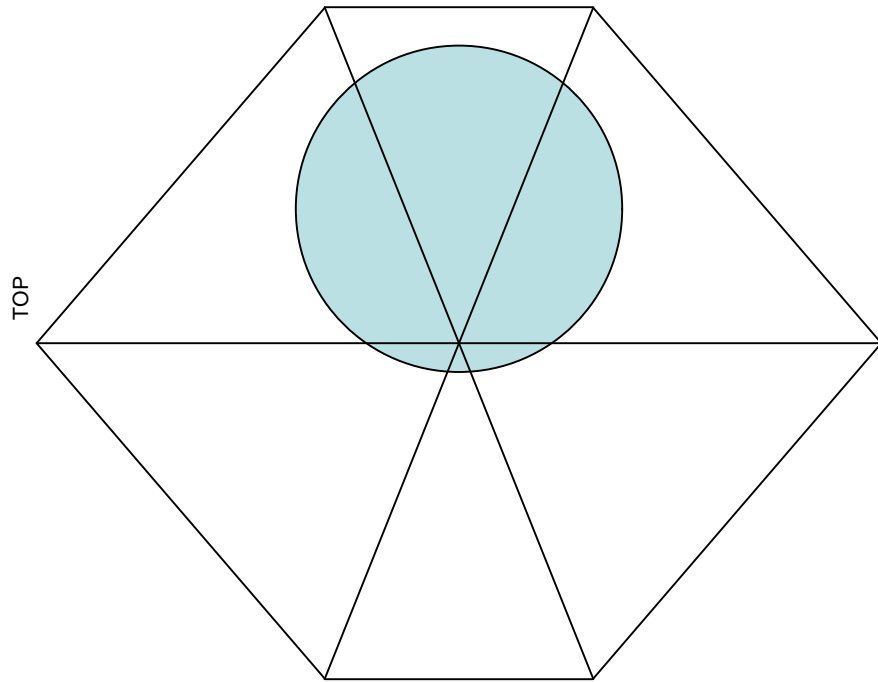
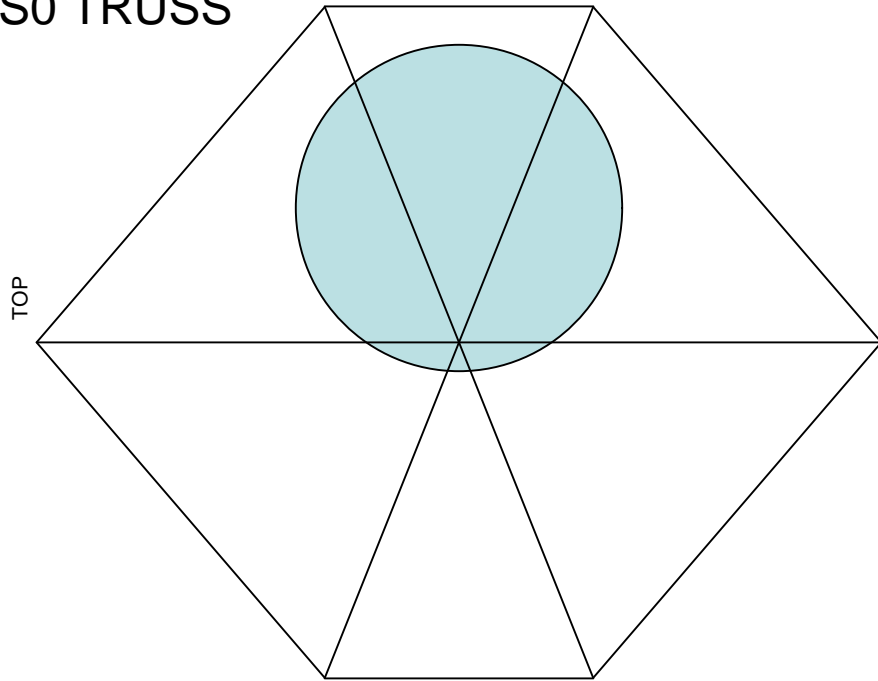
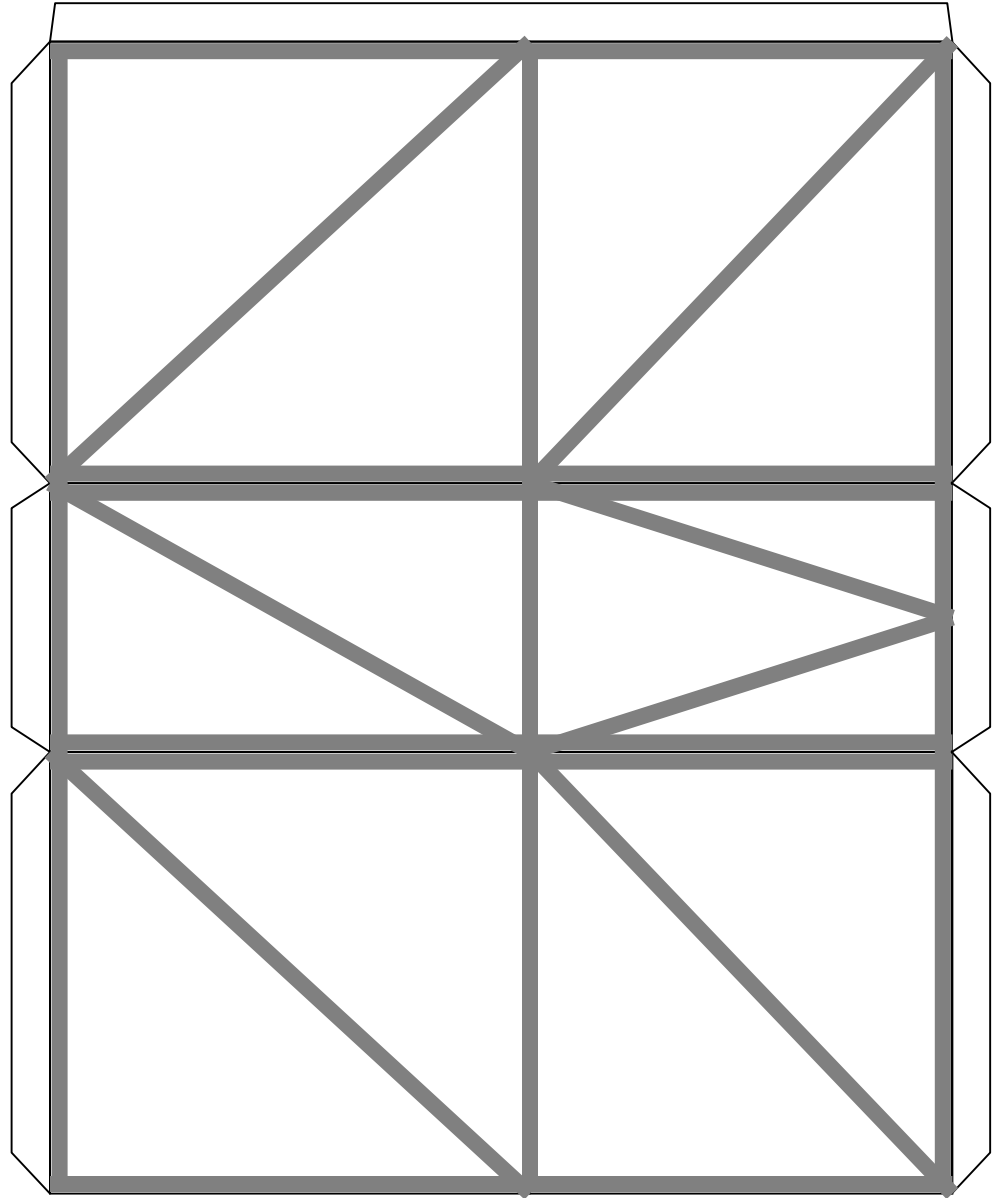
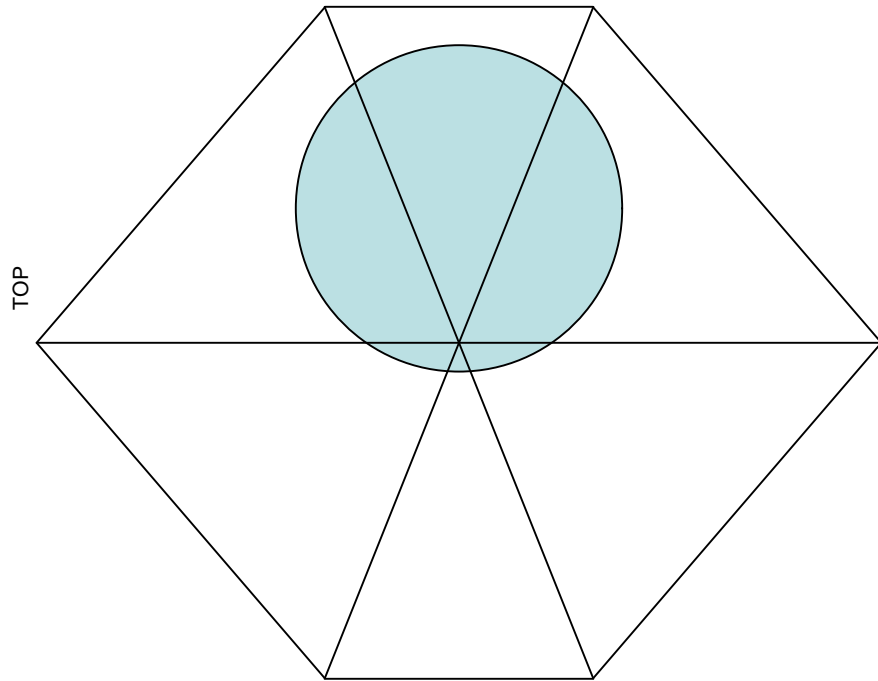
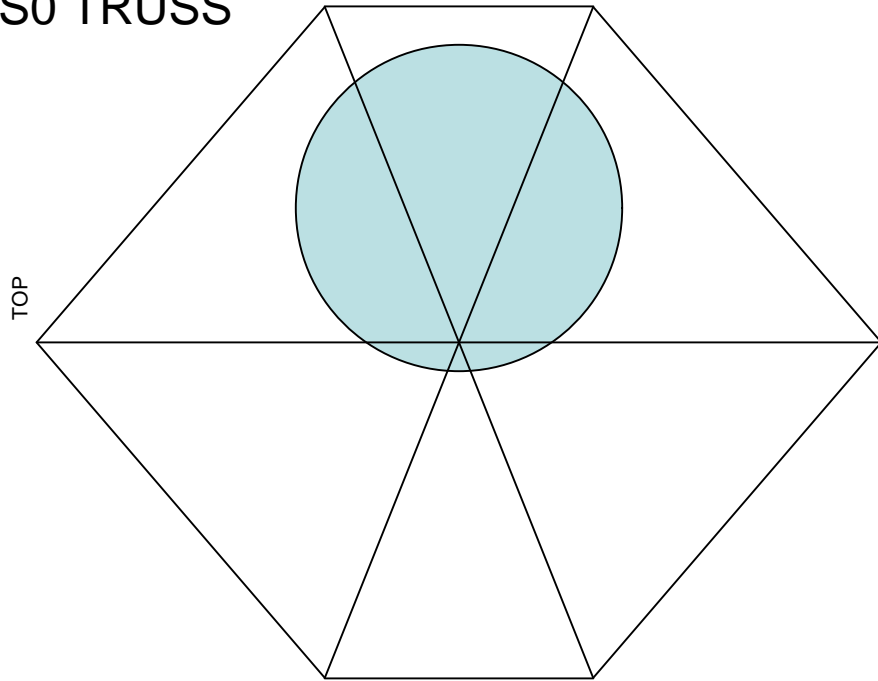


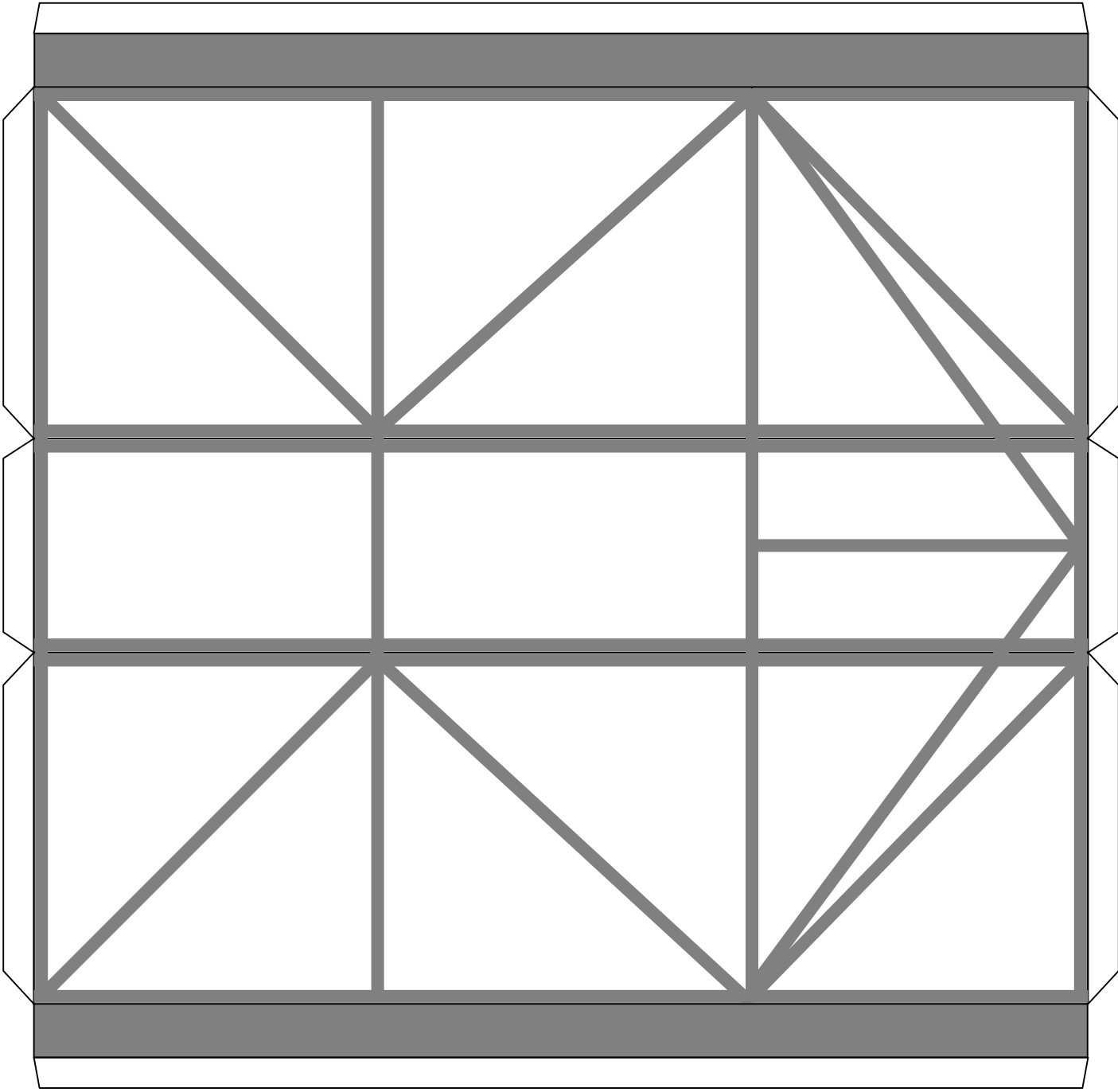
# S0 TRUSS



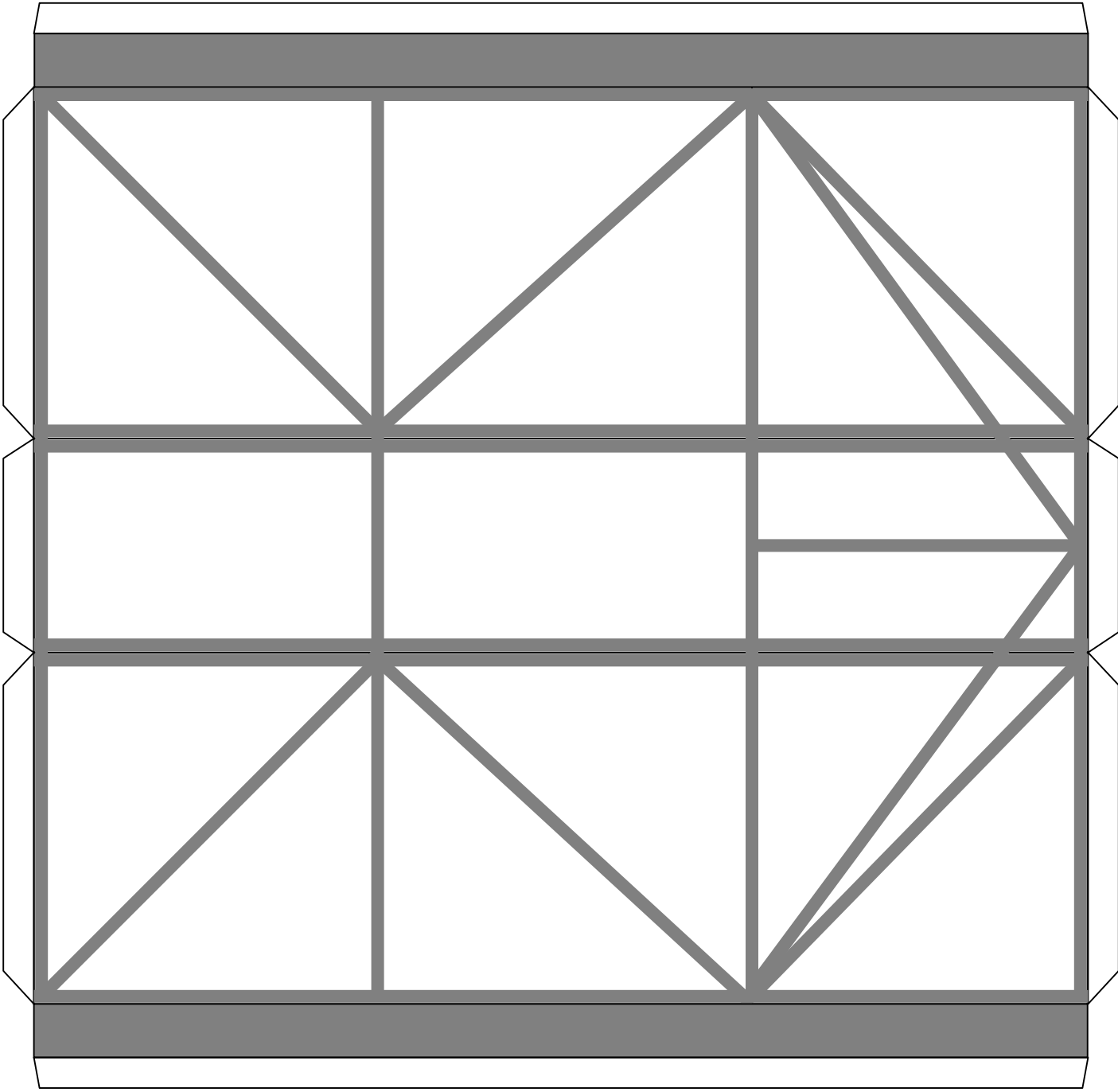
# S0 TRUSS



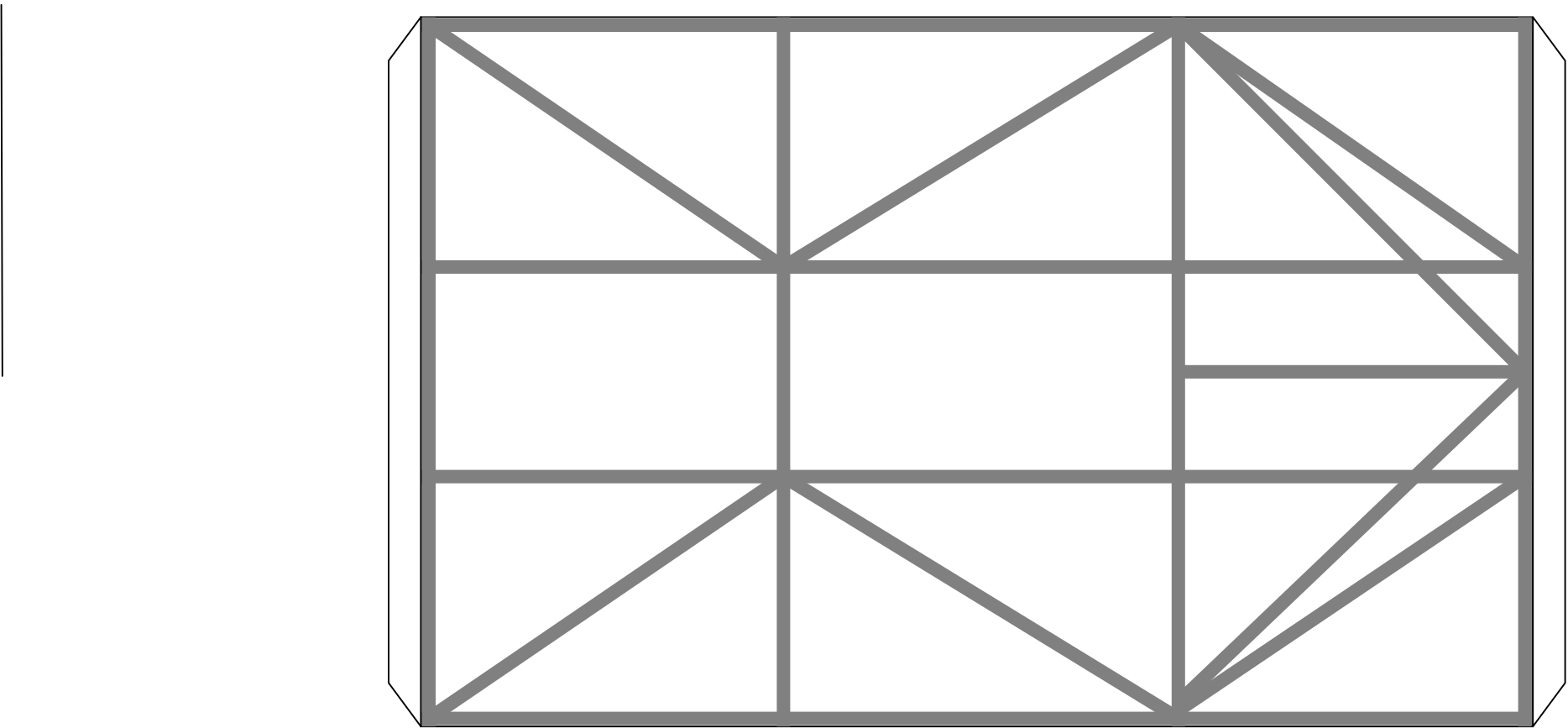
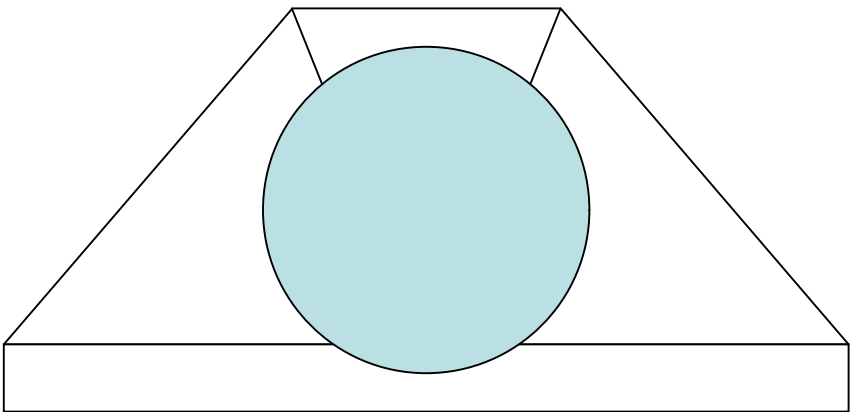
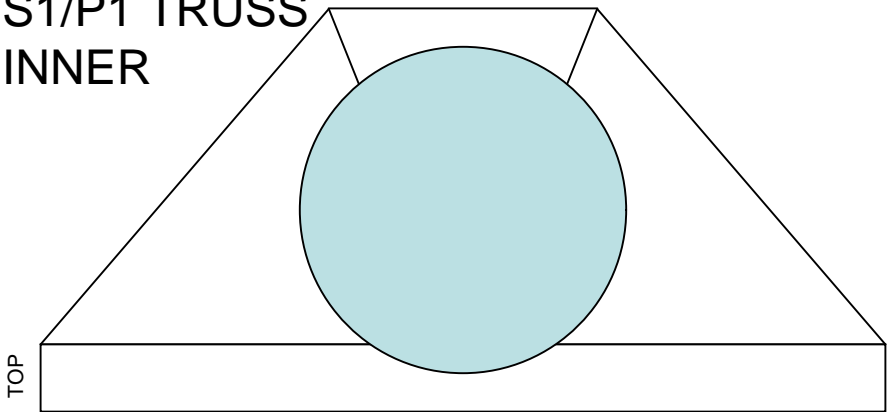
S1/P1 TRUSS  
INNER



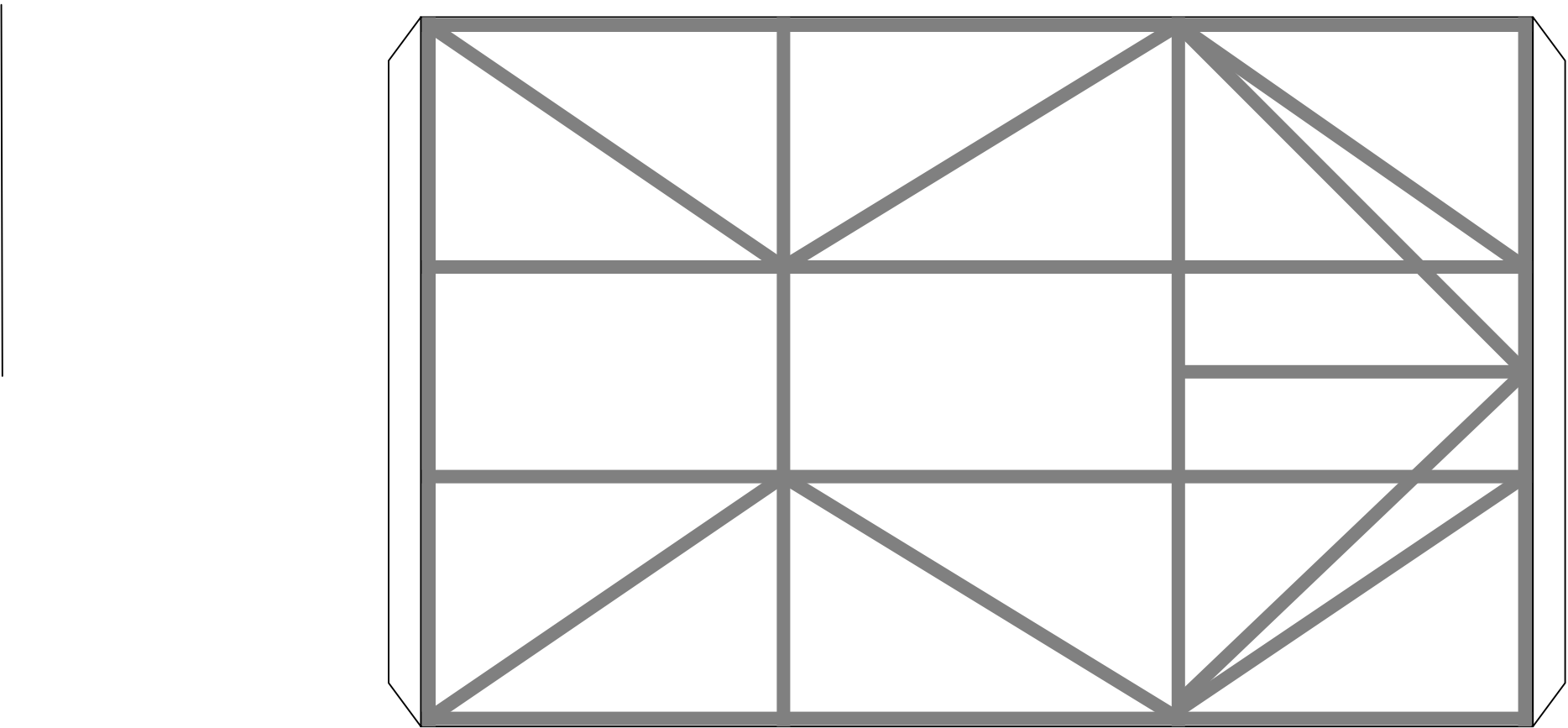
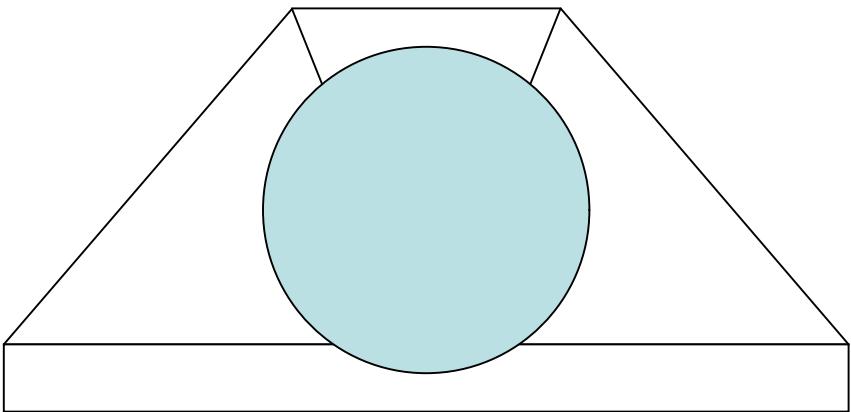
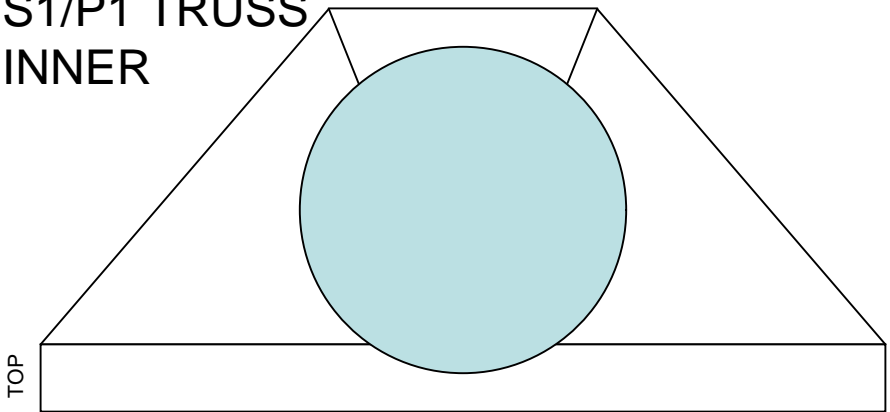
S1/P1 TRUSS  
INNER



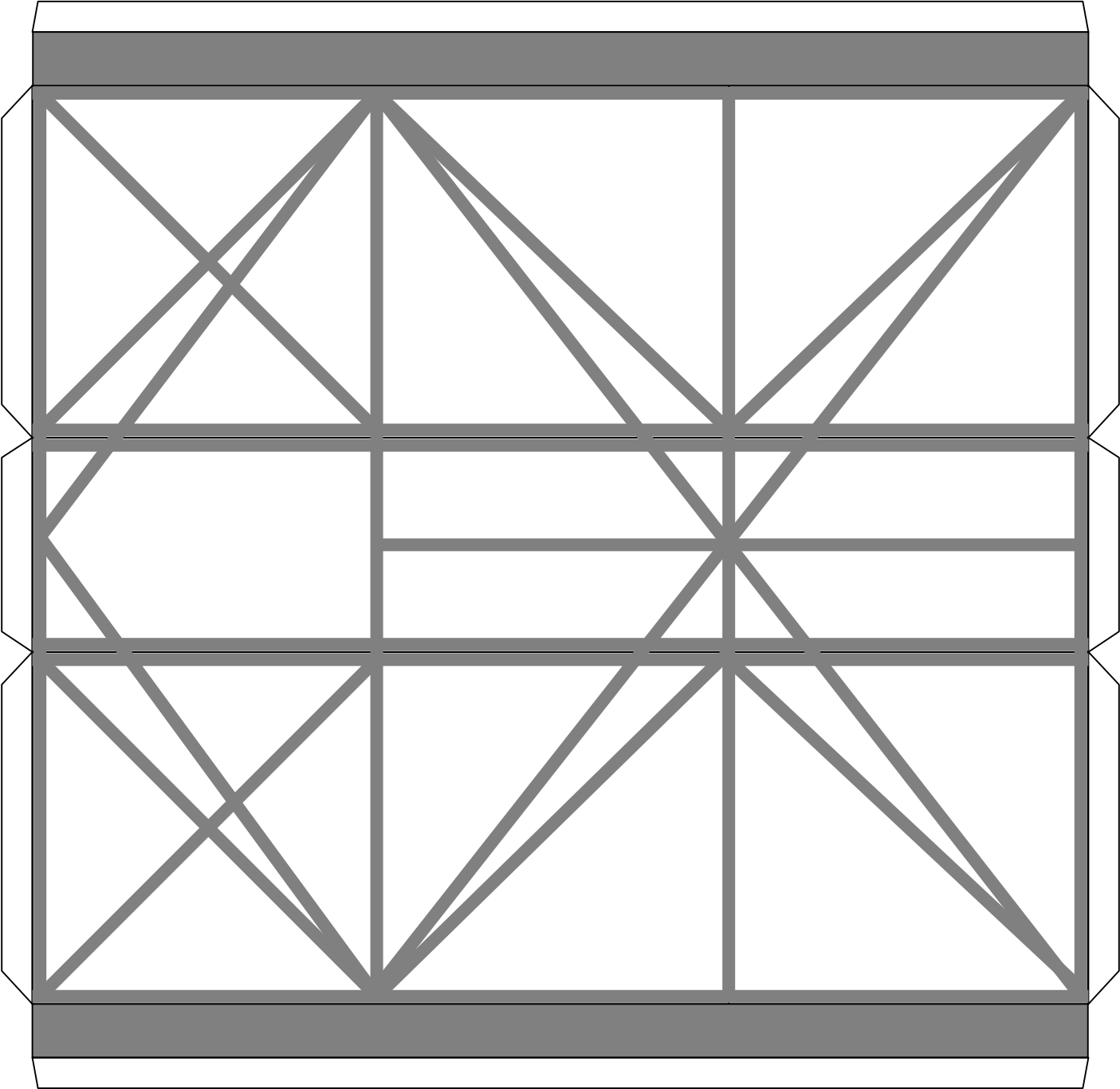
S1/P1 TRUSS  
INNER



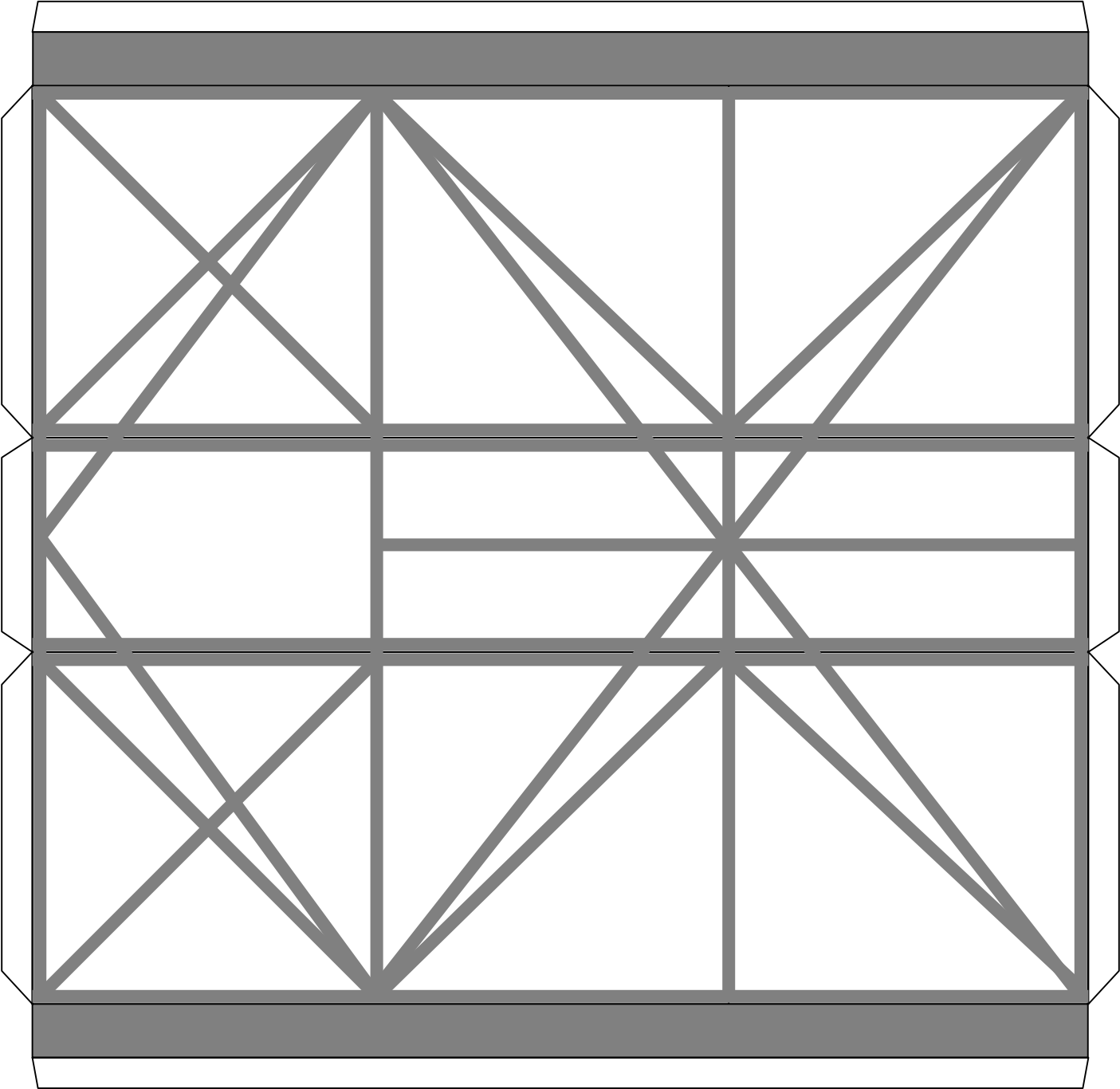
S1/P1 TRUSS  
INNER



S1/P1 TRUSS  
OUTER

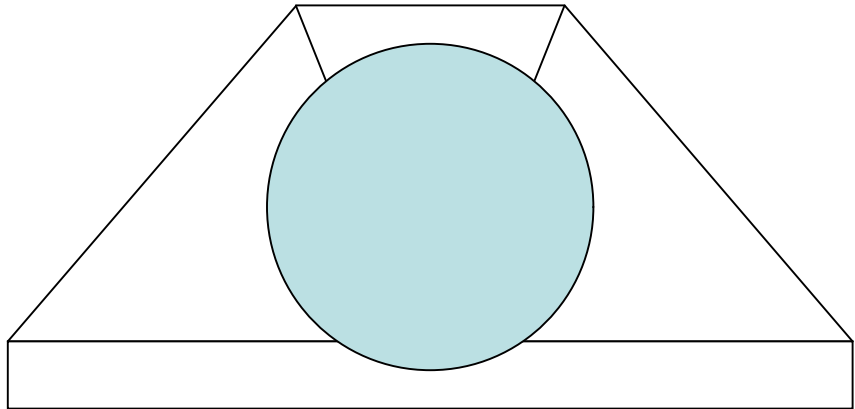
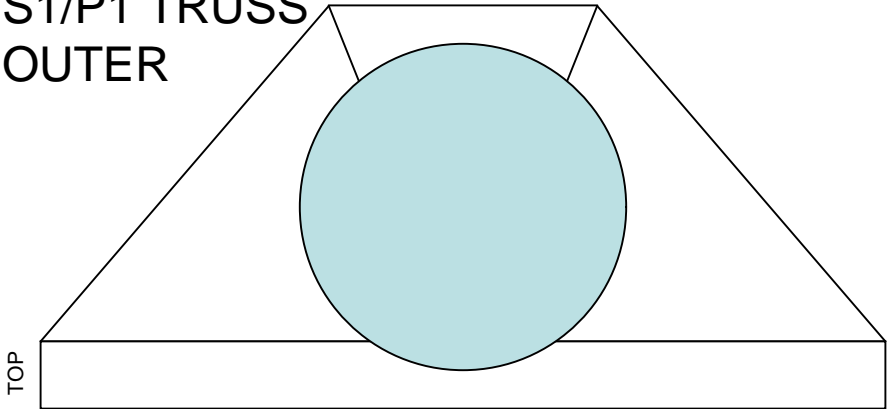


S1/P1 TRUSS  
OUTER

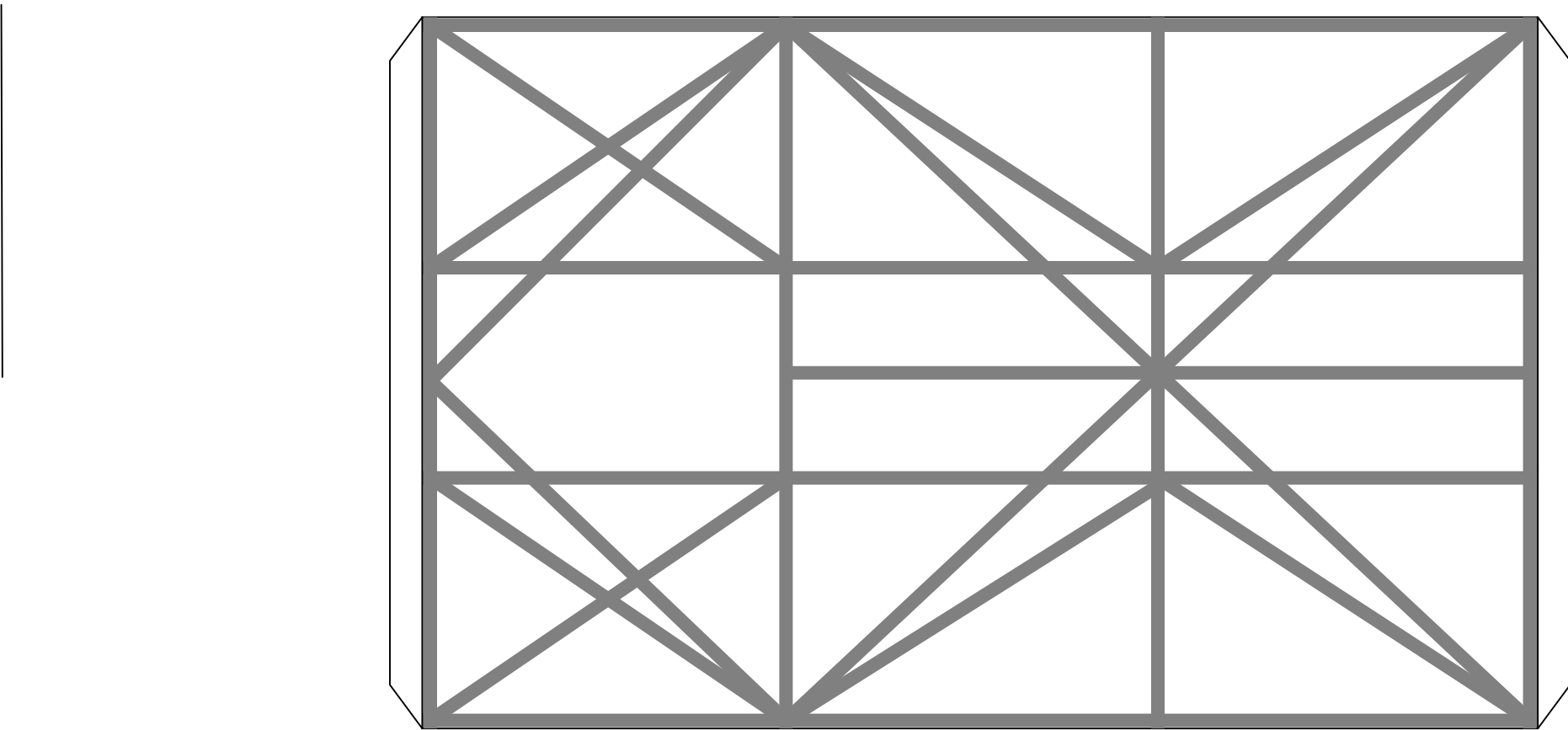




S1/P1 TRUSS  
OUTER



BACK



S1/P1 TRUSS  
OUTER

