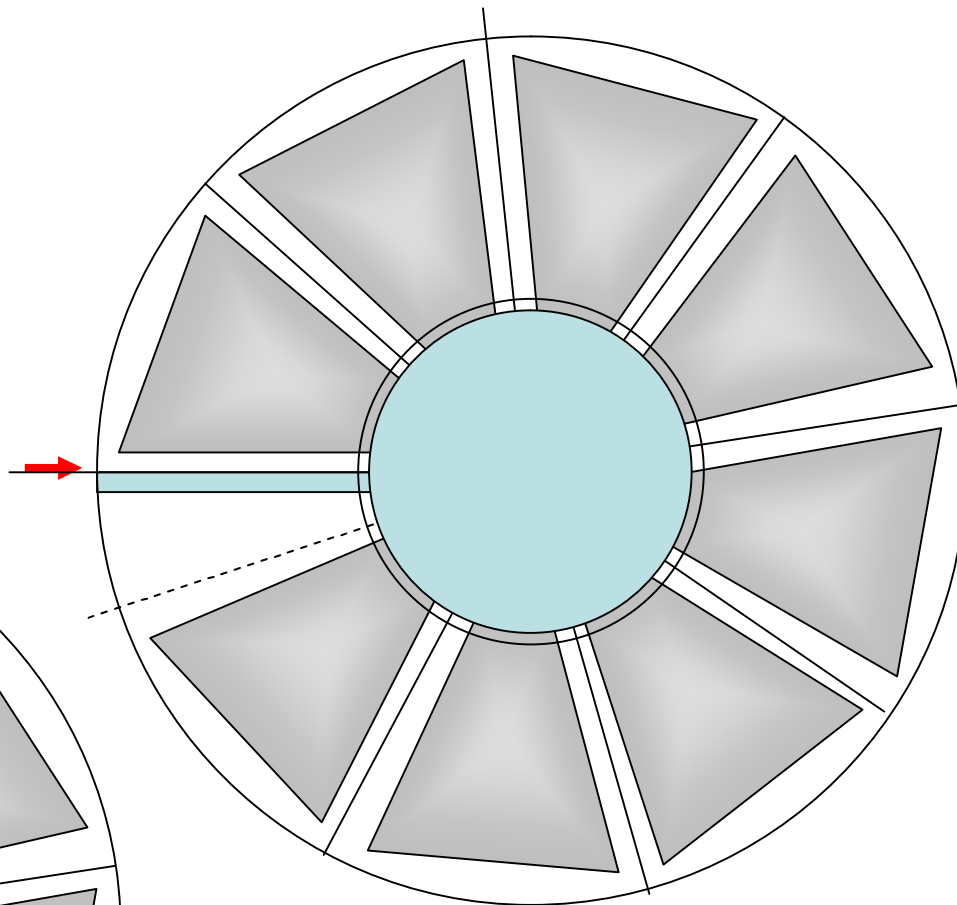
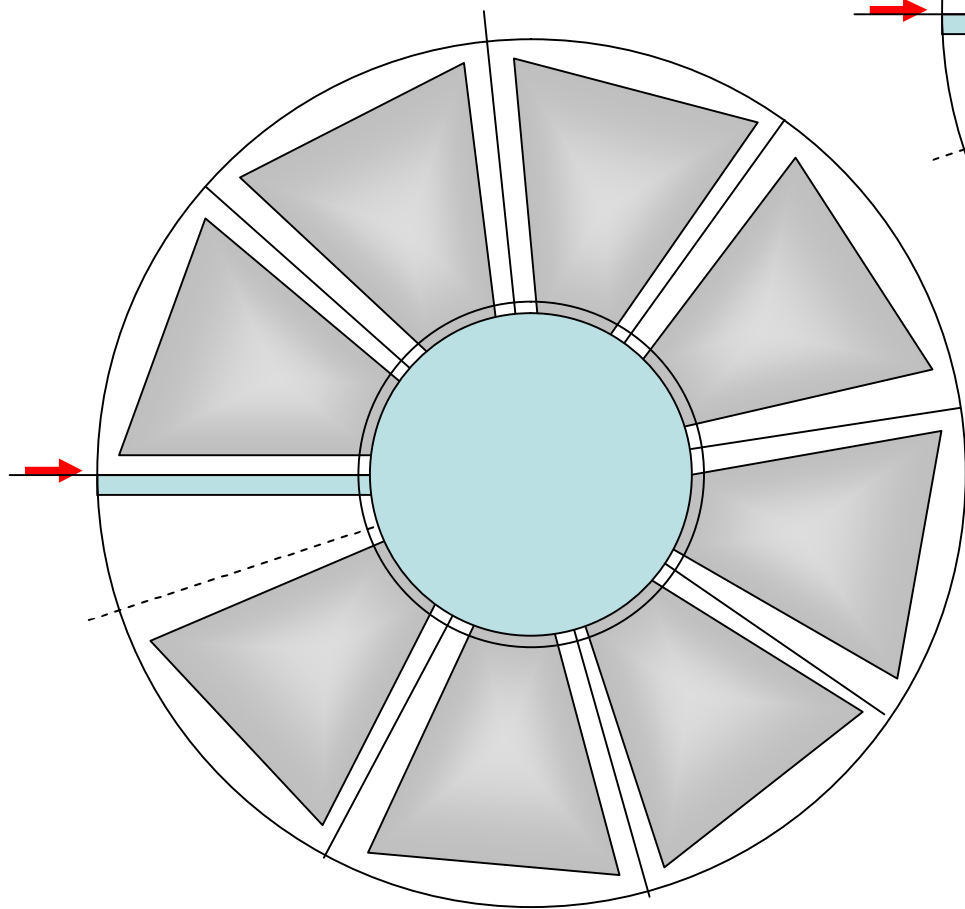


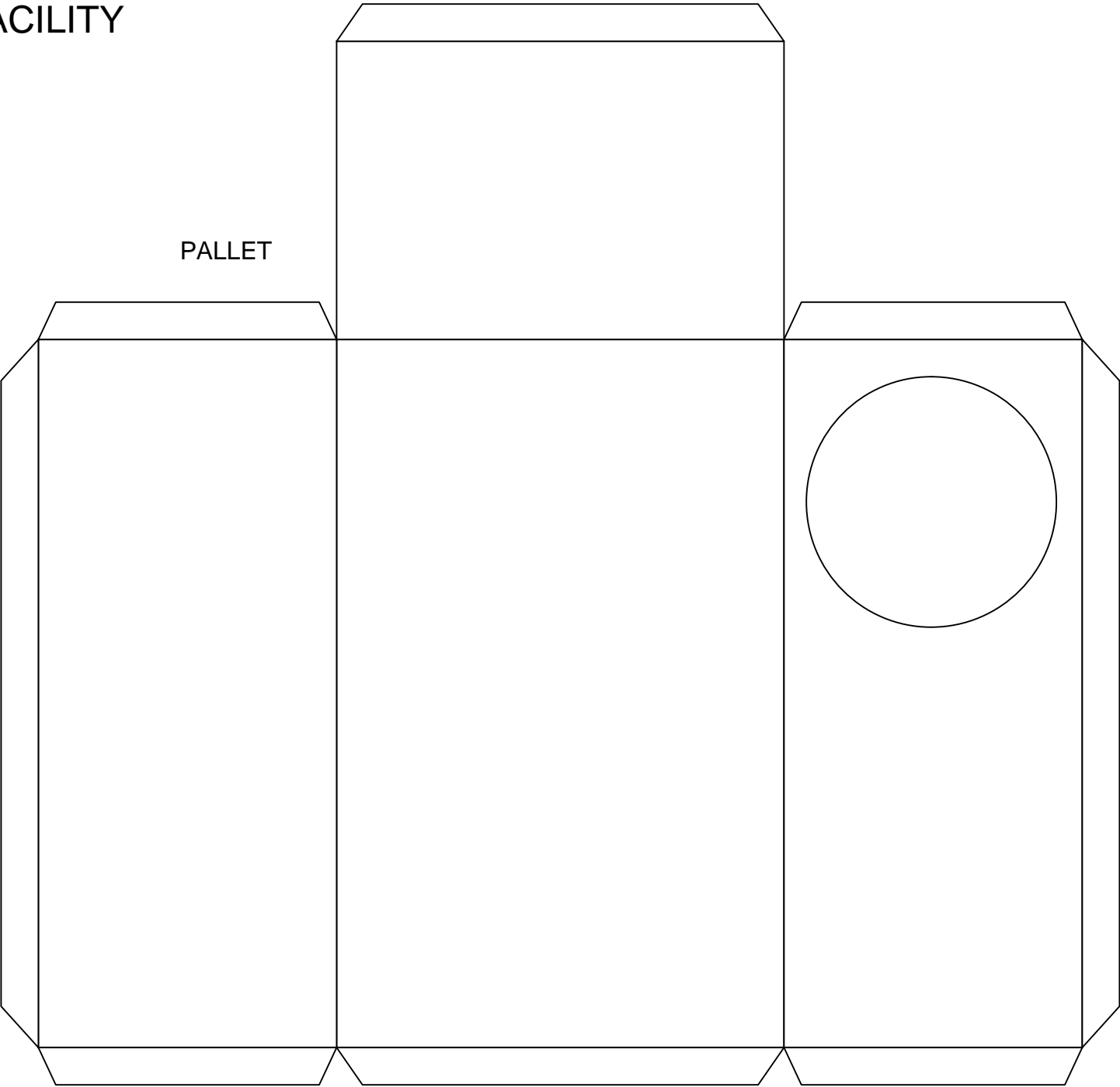
JEM LAB

END CAPS



JEM EXPOSURE FACILITY

PALLET

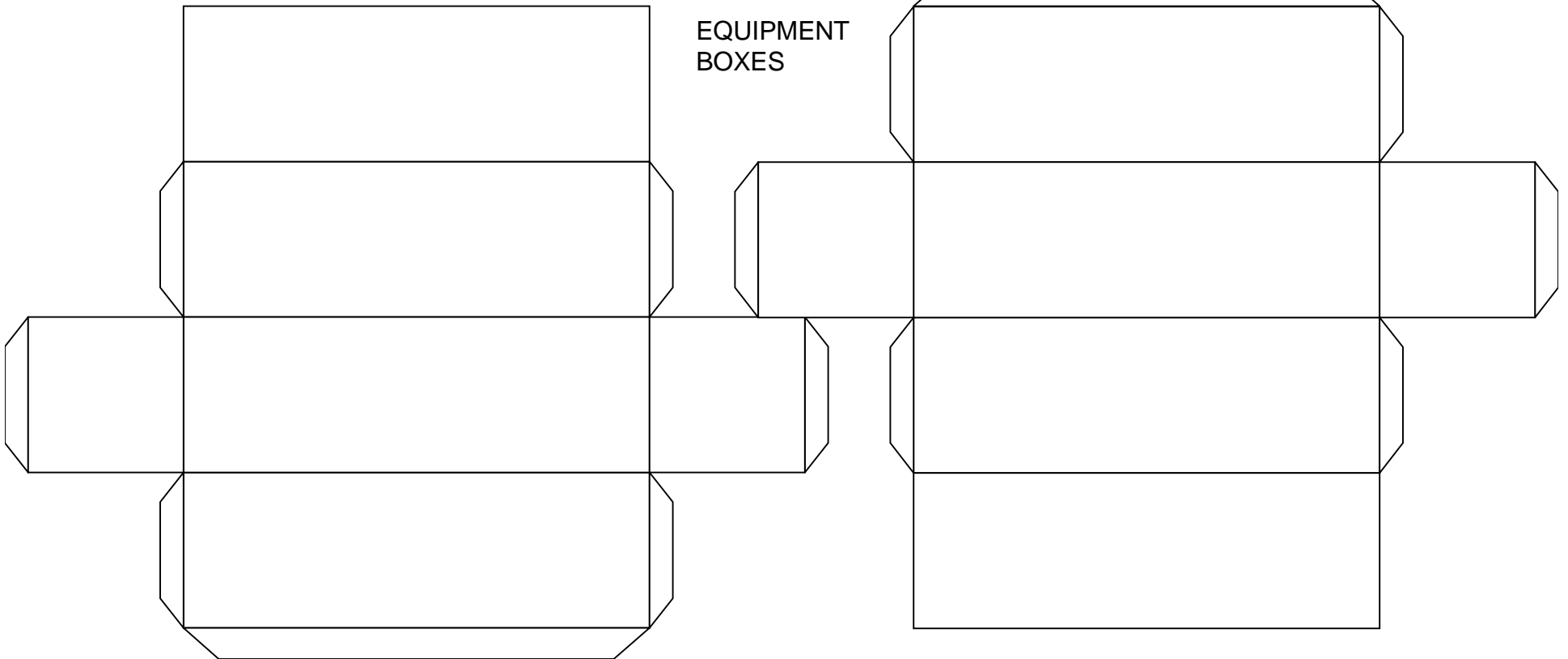


JEM EXPOSURE
FACILITY

PALLET

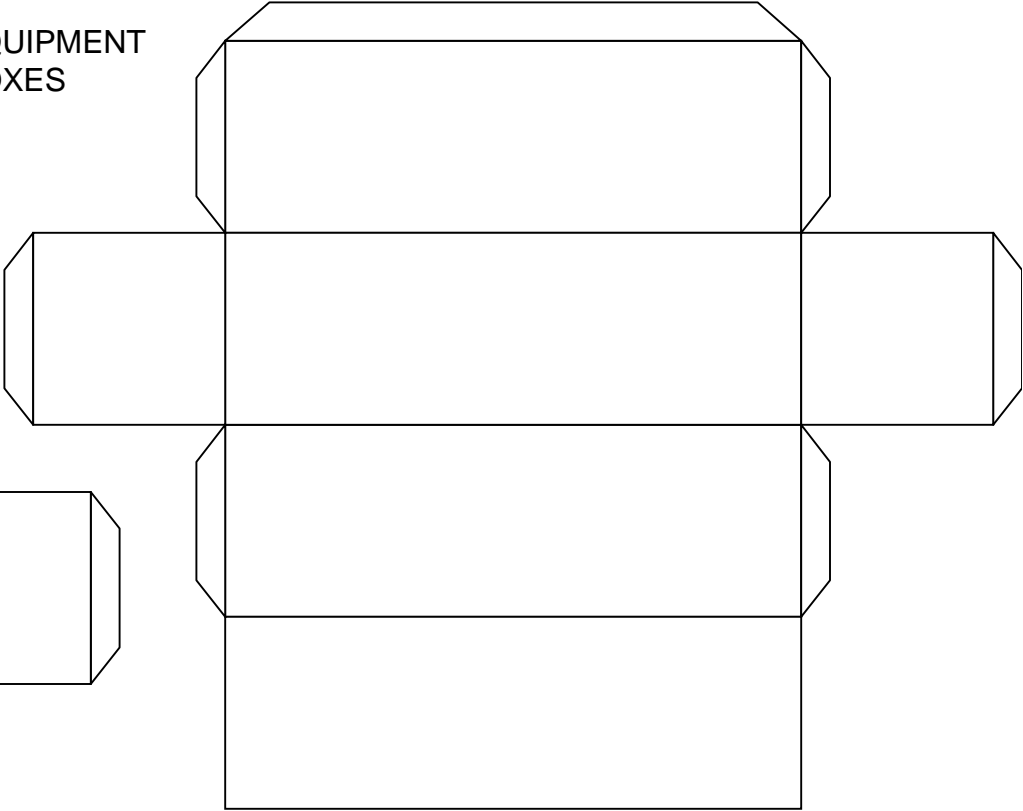
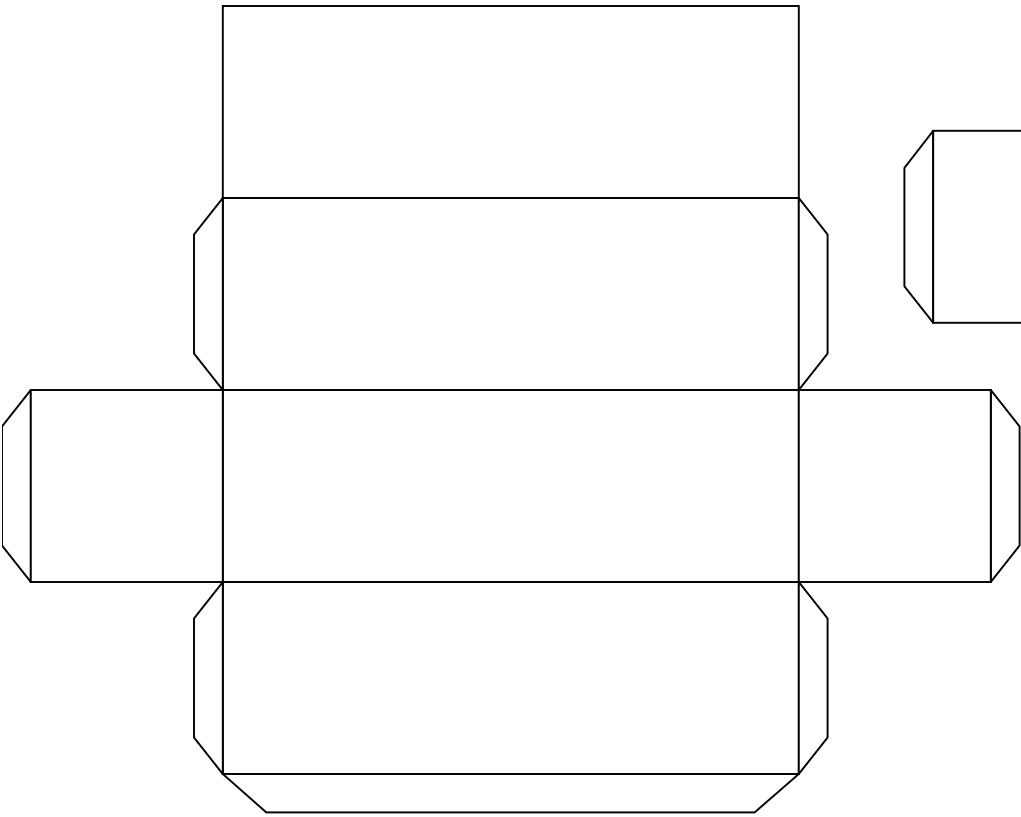


EQUIPMENT
BOXES

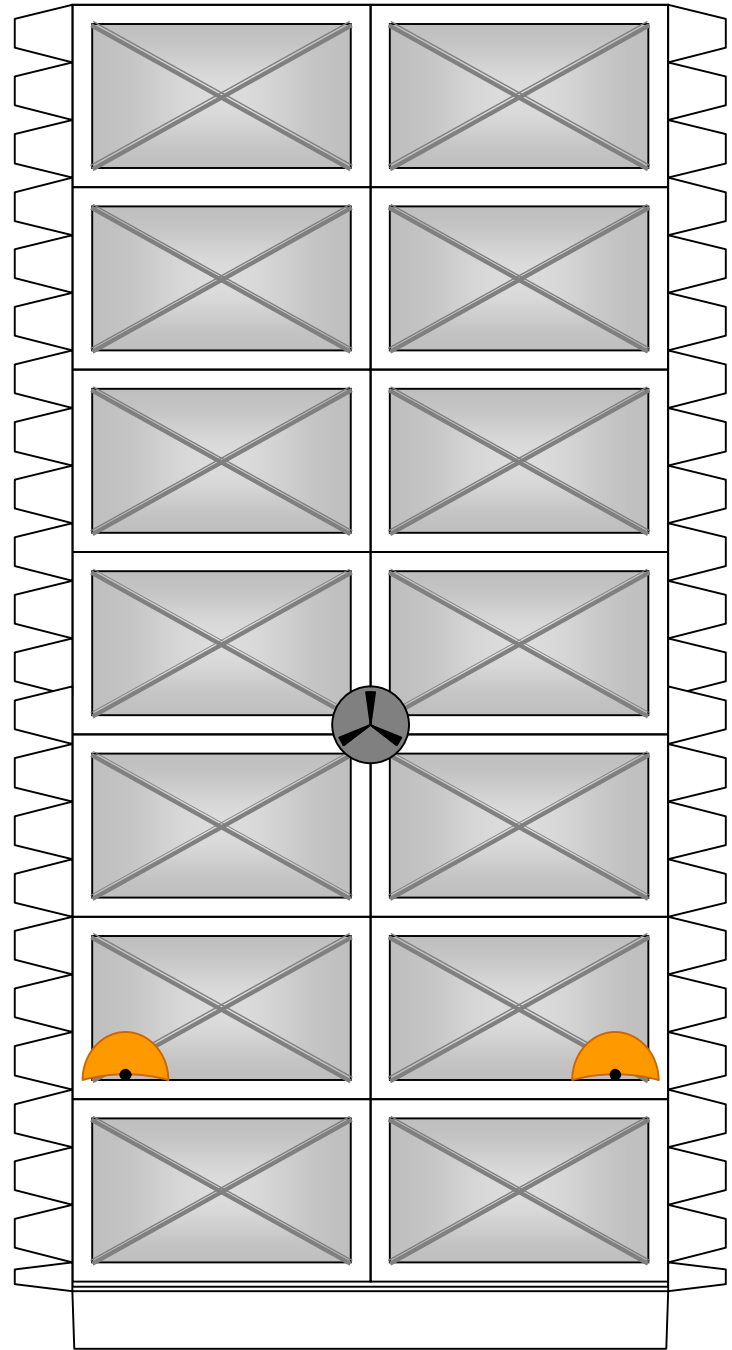
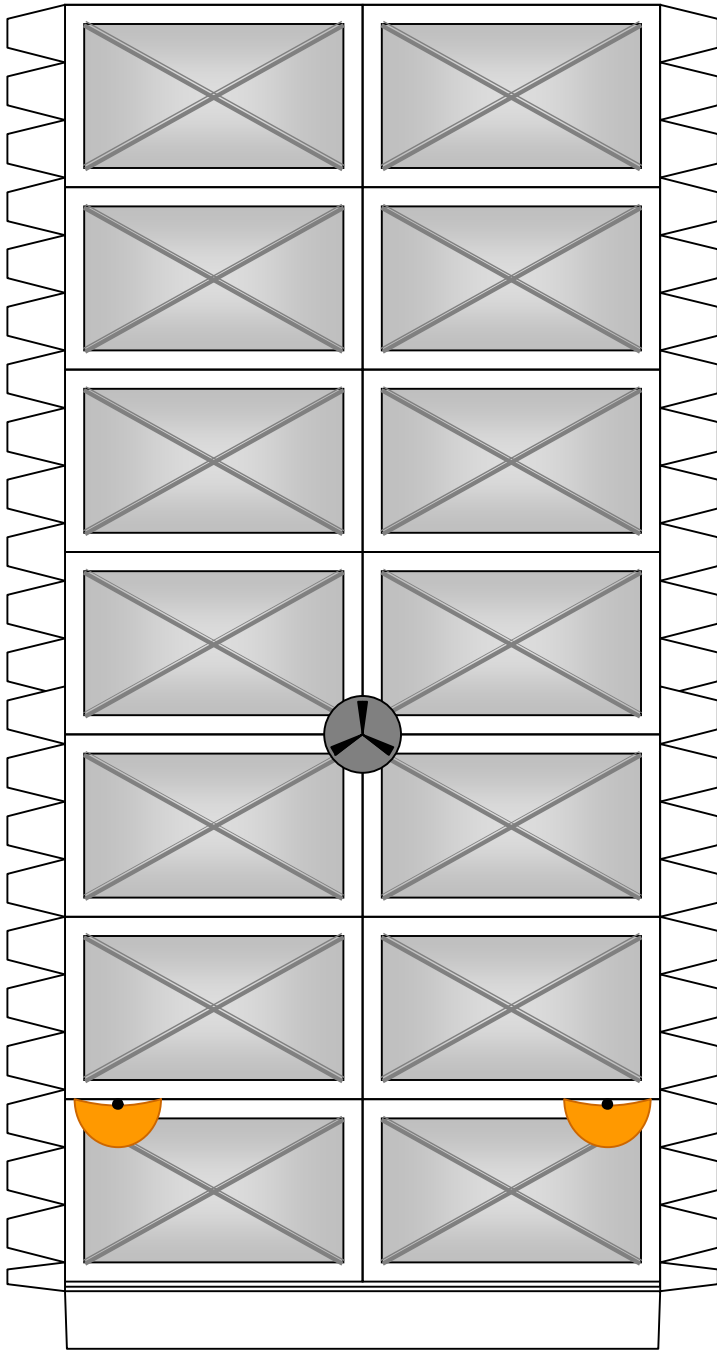


JEM EXPOSURE
FACILITY

EQUIPMENT
BOXES

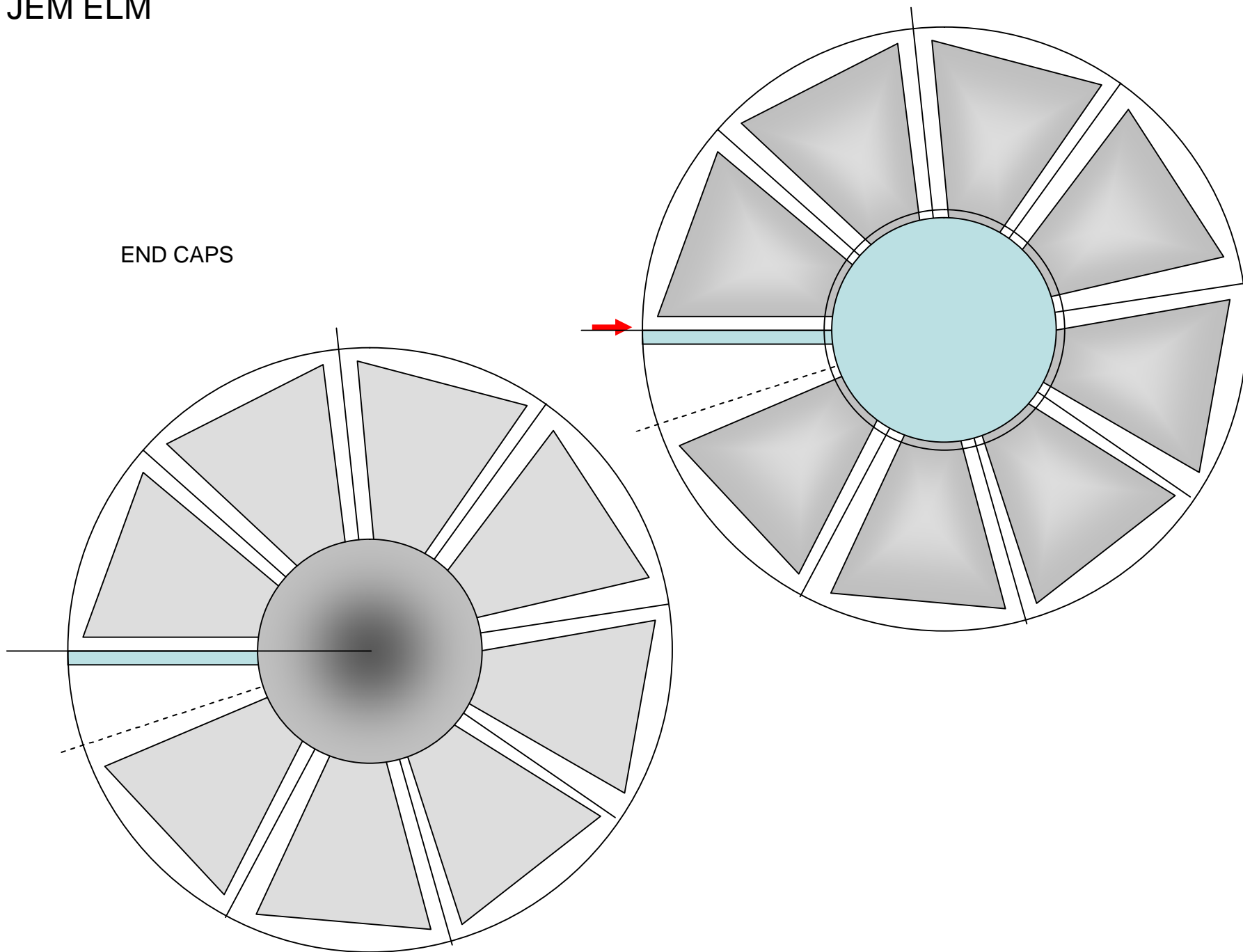


JEM ELM



JEM ELM

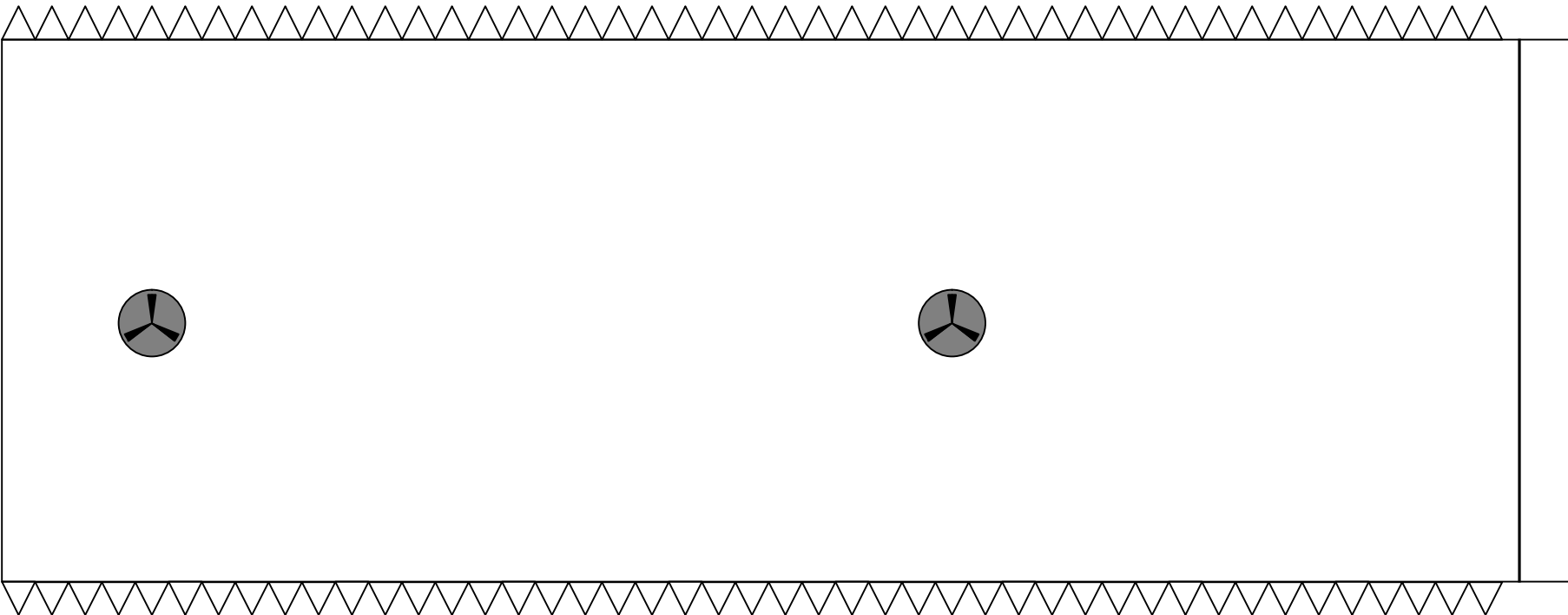
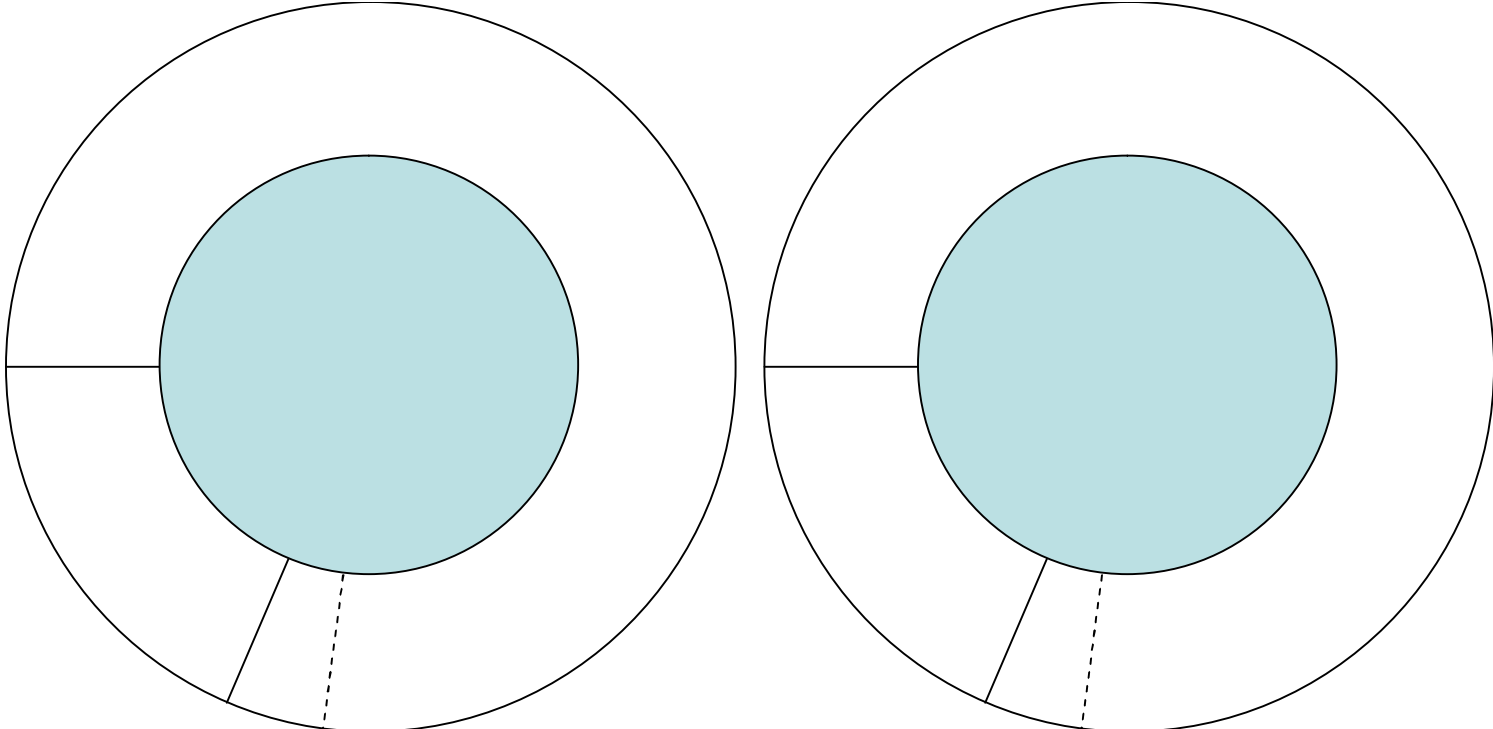
END CAPS



LIFE SUPPORT
MODULE (future)

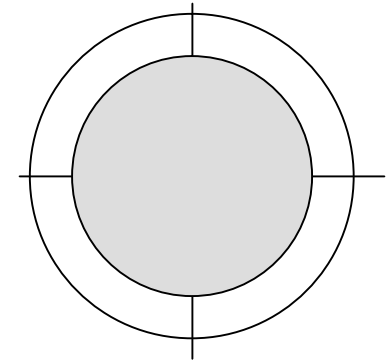
END CONES

BODY CYLINDER

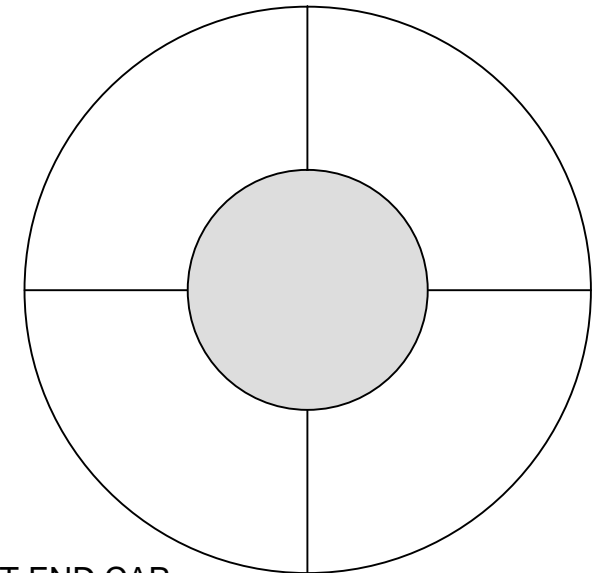
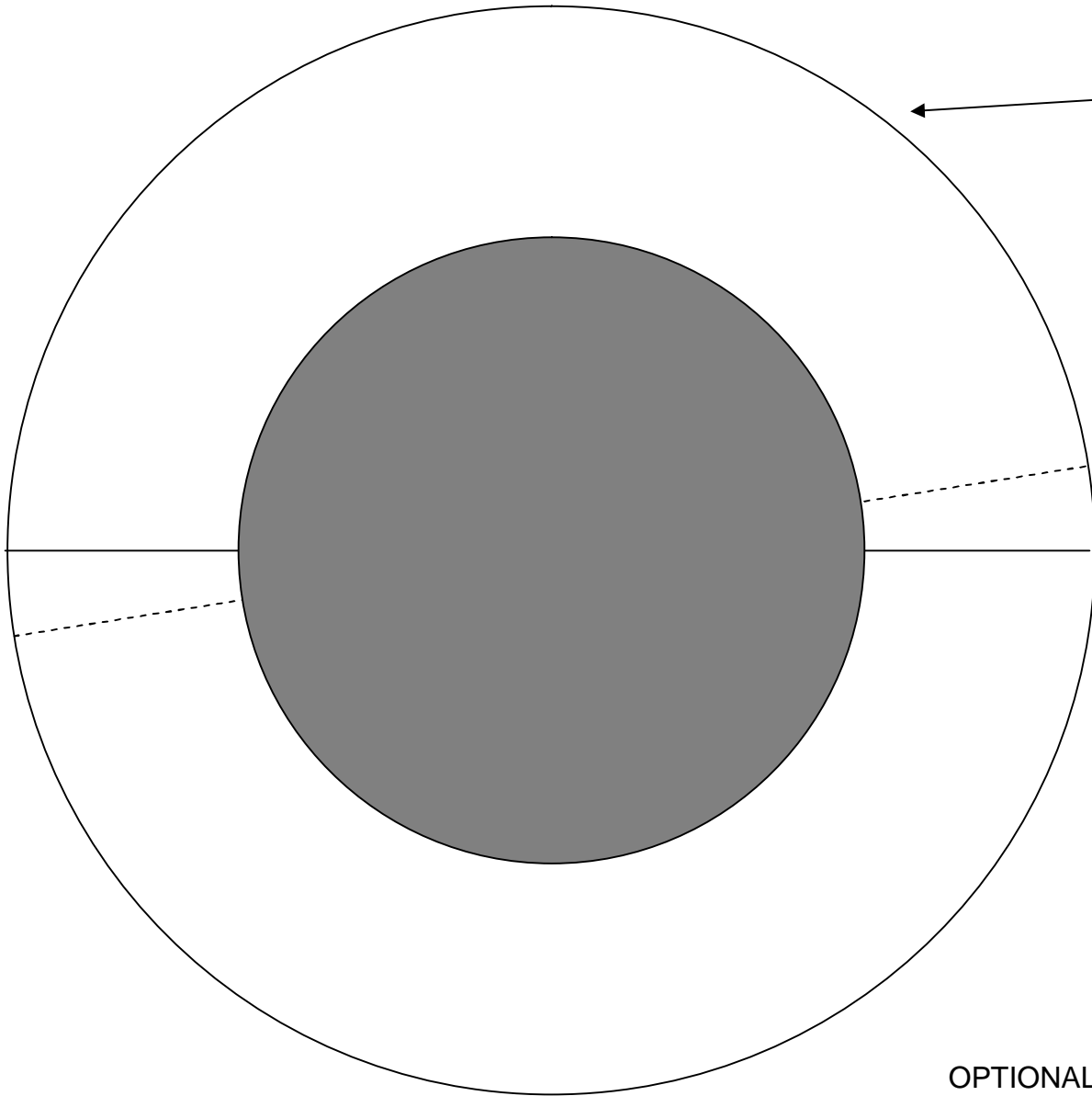
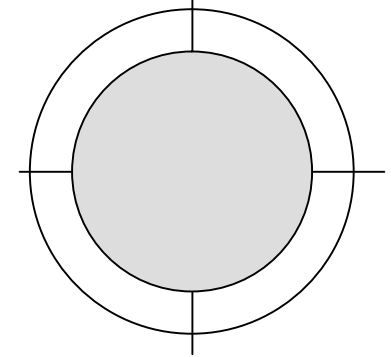


RESEARCH MODULE
DOCKING/STORAGE
MODULE (future)

END CAP FOR CONIC
IF NEEDED – COVER
WITH HATCH IF EXPOSED



END CONES



OPTIONAL FLAT END CAP

RESEARCH MODULE, DOCKING/STORAGE MODULE (future)

BODY CYLINDER

